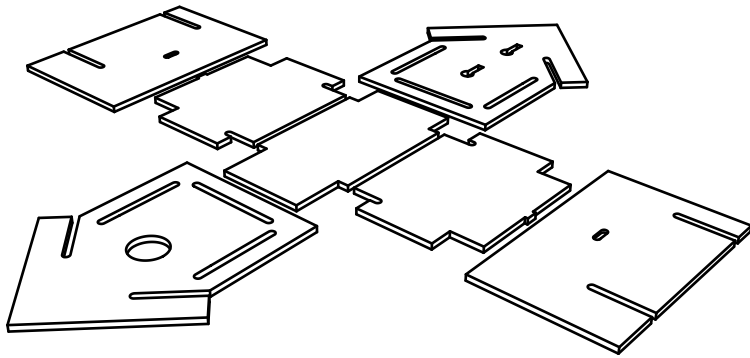
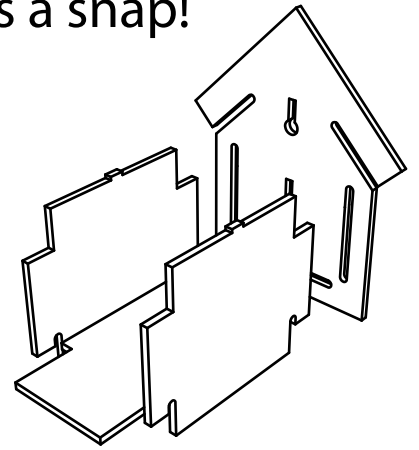


INSTRUCTIONS no glue, no nails, it's a snap!



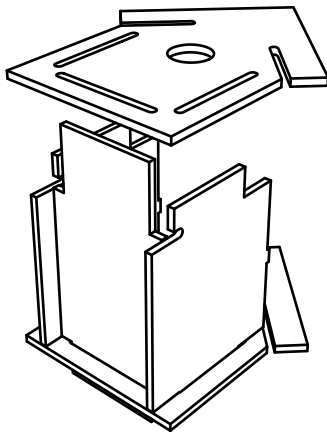
1

Lay out the panels so the nicest wood finish is facing the ground. Make sure thickest notch of the ROOF panels are facing forward with the little grooves facing up. Make sure the long extension of the BOTTOM is facing forward with boxforthebirds.com facing the ground.



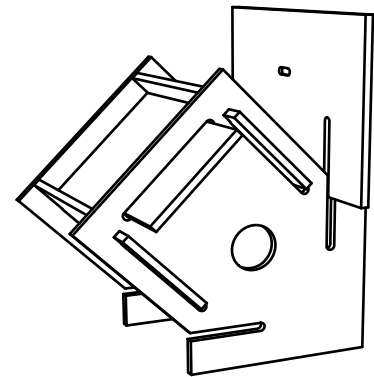
2

Slide one SIDE into the BACK vertical slot. Press down so the notch is snugly hooked. Repeat with the other side. Next slide the short extension of the BOTTOM into the back horizontal slot.



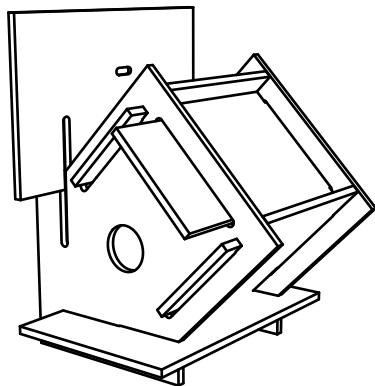
3

Rest the house on its back. Slide the FRONT slots over the remaining bottom and side notches. Stand birdhouse upright and press down snugly.



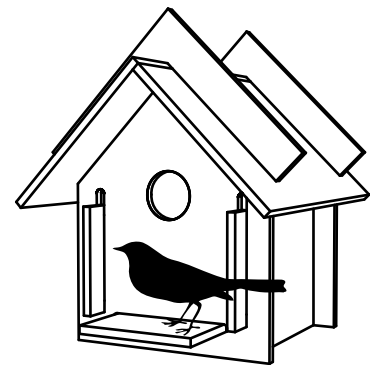
4

Place the birdhouse on an angle as shown. With the thicker ROOF notch toward the front, slide the ROOF panel into place until it locks with the notch. This will need a bit of pressure to bend the wood for a snug fit.



5

Put the birdhouse on the newly inserted roof panel side as shown. Slide in the last piece into place until the notch snaps. You might need to whack it with your shoe. The wood may expand and contract with the weather.



6

Use the flower hole pattern on this sheet to space the included screws for hanging. Or screw right through this sheet and rip out. Leave 1.25" of the screw sticking out.

FOR SEASONAL CLEANING INSTRUCTIONS VISIT

box for the birds
.com